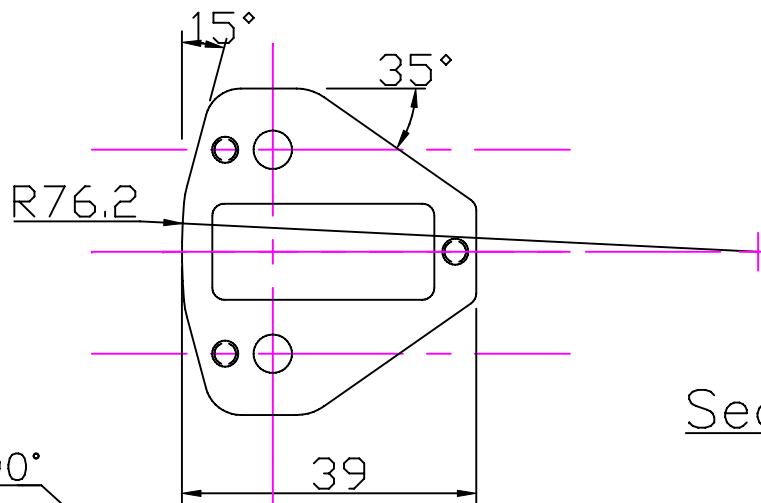
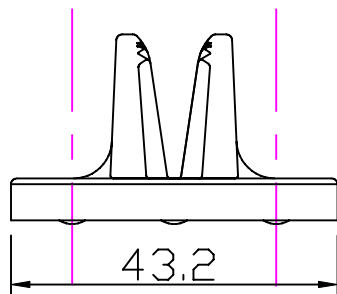
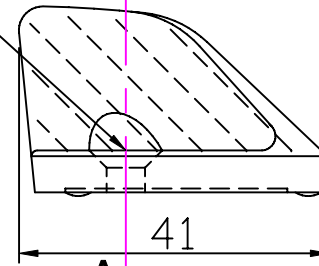
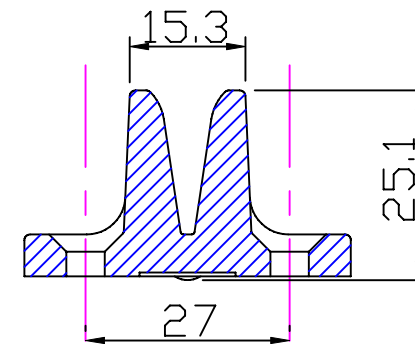


M5 4.5/4.8mm ϕ 4-8mm
 #10 (3/16") No.10 3/16" - 5/16"

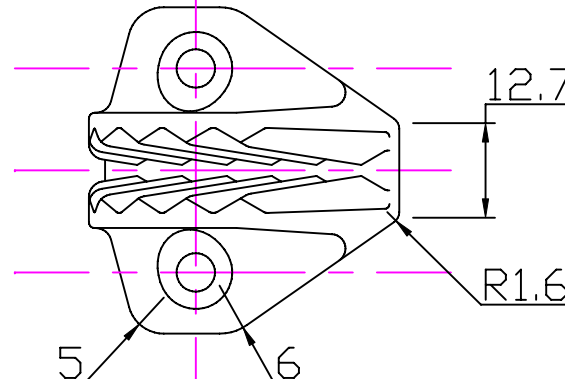
2 Holes $\phi 5.0$
 countersunk $\phi 9.5 \times 90^\circ$



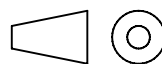
Section 'AA'



A

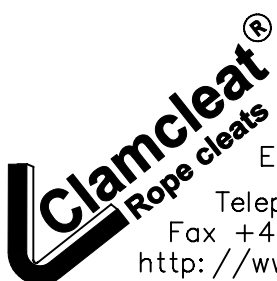


A



Scale 1:1

All dimensions in mm.



Clamcleats Limited
 Watchmead
 Welwyn Garden City
 Hertfordshire AL7 1AP
 England

Telephone +44 (0)1707 330101
 Fax +44 (0)1707 321269
<http://www.clamcleat-rope-cleats.com>

Issue: 2. May 2006
 ID215.dwg

Material:
 Nylon

Installation Drawing for:-

CL215

Side Fixing Midi