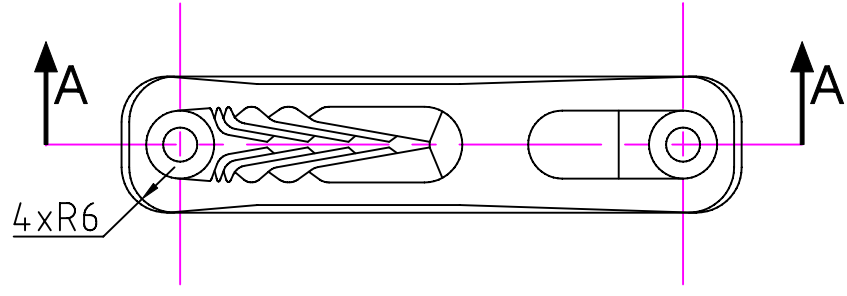
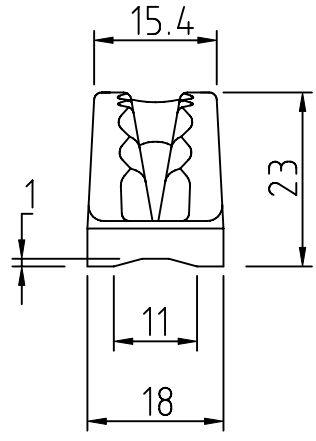
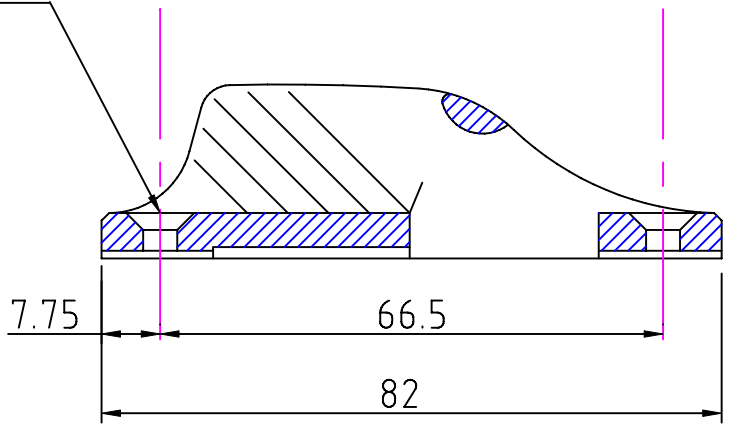
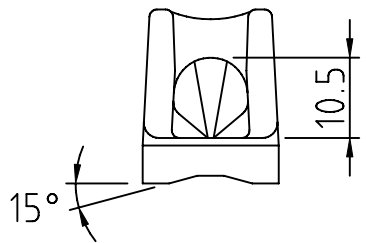


M4 4/4.2mm $\phi 3 - 6\text{mm}$
 #8 (5/32") No. 8 1/8" - 1/4"

2 Holes $\phi 4.5$
 countersunk $\phi 9.0 \times 90^\circ$

Section 'AA'



Clamcleat®
 Rope cleats

Clamcleats Limited
 Watchmead
 Welwyn Garden City
 Hertfordshire AL7 1AP
 England

Telephone +44 (0)1707 330101
 Fax +44 (0)1707 321269
<http://www.clamcleat-rope-cleats.com>

Scale 1:1
 All dimensions in mm.

Issue: 3.	May 2006
	ID203.dwg
Material:	Nylon
Installation Drawing for:-	CL203 Junior