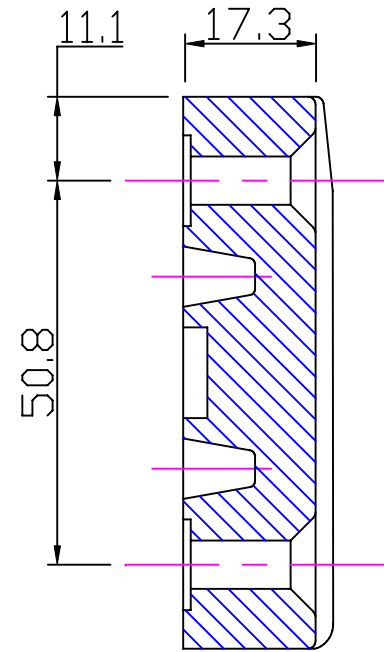
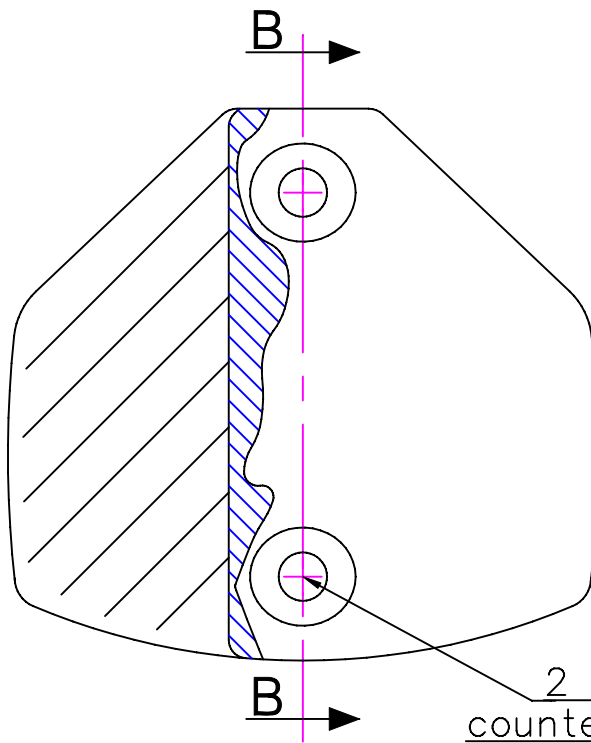
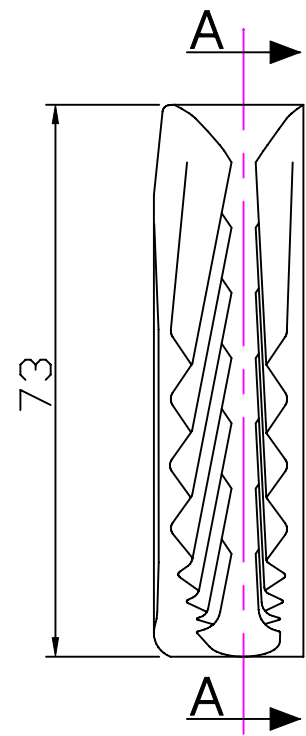


Section 'BB'



2 Holes $\phi 6.5$
countersunk $\phi 13 \times 90^\circ$

Part Section 'AA'

Clamcleat®
Rope cleats

Clamcleats Limited
Watchmead
Welwyn Garden City
Hertfordshire AL7 1AP
England

Telephone +44 (0)1707 330101
Fax +44 (0)1707 321269
<http://www.clamcleat-rope-cleats.com>

Scale 1:1
All dimensions in mm.

Issue: 2.	May 2006 ID202.dwg
Material:	Nylon
Installation Drawing for:-	CL202 Horizontal